

# FEDERAL RELOADING

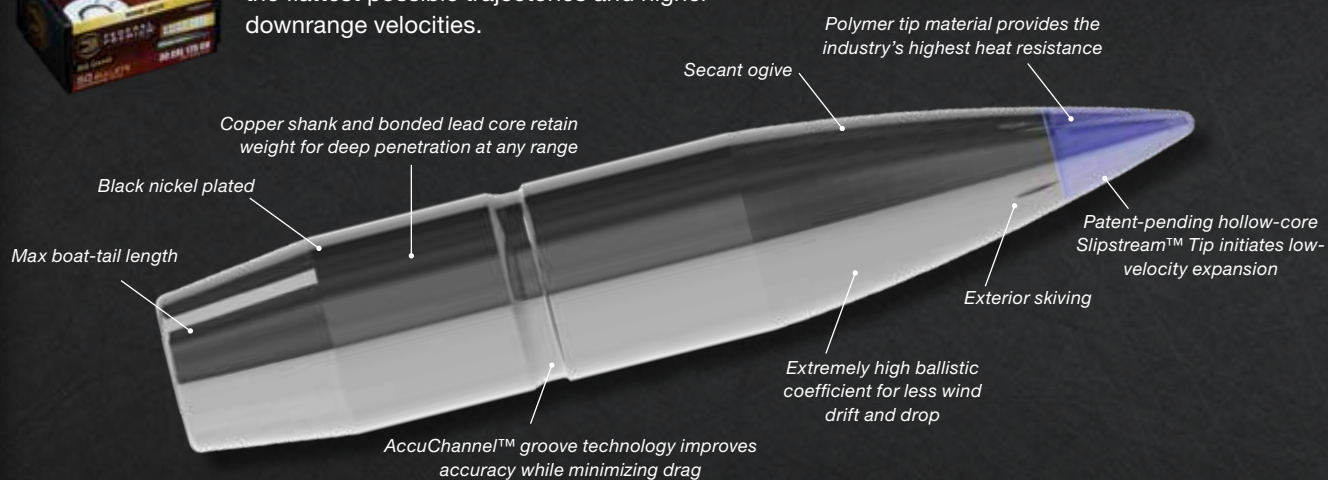
## PRECISION HANDLOADS START HERE

We've always loaded Federal ammunition with the industry's finest components, and for years we've provided the same world-renowned brass, primers and wads to handloaders. We're proud to now offer a full line of top bullet designs as components for reloading. Find load data for all bullets at federalpremium.com.

### NEW! EDGE TLR

Edge TLR® expands reliably at velocities as low as 1,400 feet per second, yet it also retains most of its weight and penetrates deep on close targets. The match-accurate bullet's sleek profile offers some of the highest ballistic coefficients in its class for the flattest possible trajectories and higher downrange velocities.

PART NO.	DIAMETER	GR.	BALLISTIC COEFFICIENT	
			G1	COUNT
PB277ETLR1	270 CAL., .277"	136	0.508	50
PB284ETLR1	7MM, .284"	155	0.610	50
PB308ETLR1	30 CAL., .308"	175	0.536	50
PB308ETLR2	30 CAL., .308"	200	0.625	50

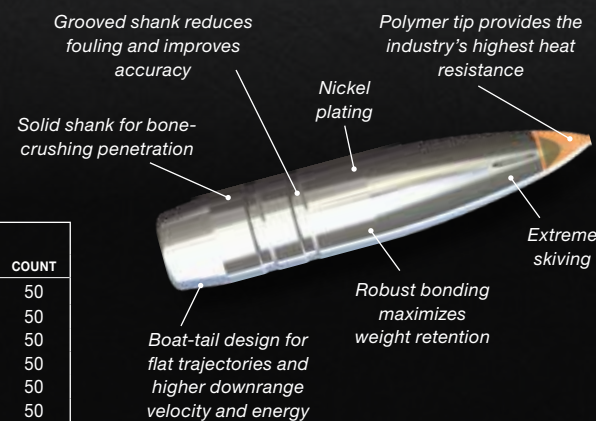


### NEW! TROPHY BONDED TIP

The Trophy Bonded® Tip's proven design stands apart from all other big game bullets, combining bonded construction, a bone-crushing solid copper shank, boat-tail design and a high-performance polymer tip that tightens groups at long range.



PART NO.	DIAMETER	GR.	BALLISTIC COEFFICIENT	
			G1	COUNT
PB277TT130	270 CAL., .277"	130	0.440	50
PB277TT140	270 CAL., .277"	140	0.455	50
PB284TT140	7MM, .284"	140	0.430	50
PB284TT160	7MM, .284"	160	0.520	50
PB308TT165	30 CAL., .308"	165	0.450	50
PB308TT180	30 CAL., .308"	180	0.500	50



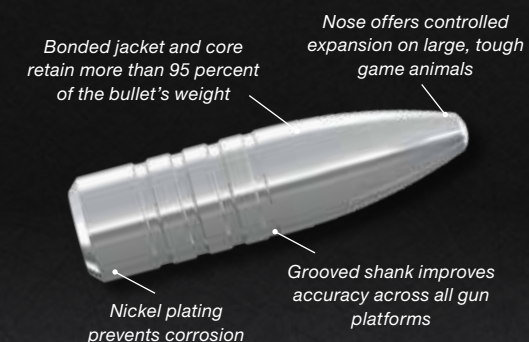
## NEW!

### NEW! TROPHY BONDED BEAR CLAW

The world-famous Trophy Bonded Bear Claw® is a deadly-reliable bullet from Africa to Alaska, and now it's available to handloaders in the most popular bullet diameters for large and dangerous game. Its bonded jacket and core provide controlled expansion and retain more than 95 percent of the bullet's weight to penetrate deep.



PART NO.	DIAMETER	GR.	COUNT
PB375TBBC250	375 CAL., .375"	250	25
PB375TBBC300	375 CAL., .375"	300	25
PB416TBBC400	416 CAL., .416"	400	25
PB458TBBC500	458 CAL., .458"	500	25
PB474TBBC500	474 CAL., .474"	500	25



### NEW! TROPHY BONDED SLEDGEHAMMER SOLID

The Trophy Bonded Sledgehammer® Solid's time-tested design bonds a lead core to a thick brass jacket to achieve bone-crushing penetration on the toughest, most dangerous game on the planet. Its flat nose minimizes deflection for a straight, deep wound cavity, and the grooved shank improves accuracy across an array of rifle platforms.

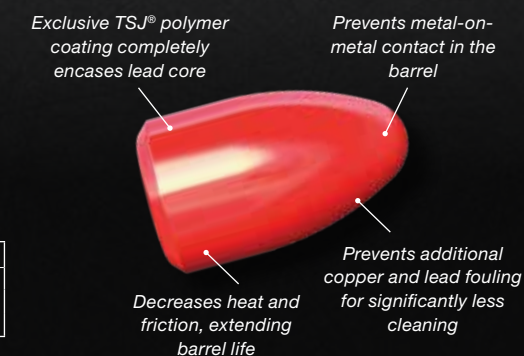


### NEW! SYNTECH TSJ

With an exclusive Total Synthetic Jacket that prevents additional copper fouling and decreases heat and friction, Syntech bullets have redefined the range. The advanced projectiles provide clean, accurate, consistent performance, as well as less splash-back on steel targets.



PART NO.	DIAMETER	GR.	COUNT
AE9SJC1	9MM, .355"	115	100
AE40SJC1	40 CAL., .400"	165	100
AE45SJC1	45 CAL., .451"	230	100





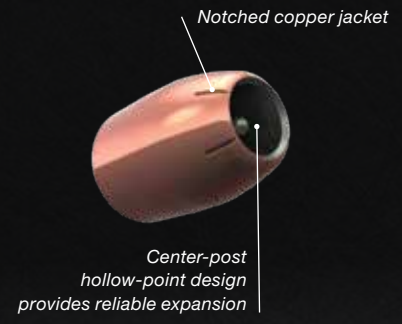
**NEW!**

**NEW! HYDRA-SHOK**

The bullet design that's defined self-defense for a generation is now available as a component for handloaders. Introduced in 1989, Hydra-Shok® remains one of the most popular choices for protecting home and family, thanks to a proven hollow point and iconic center post that provide extremely consistent and effective expansion.



PART NO.	DIAMETER	GR.	COUNT
PB38HS129	38 CAL., .357"	129	100
PB9HS124	9MM, 355"	124	100
PB9HS147	9MM, 355"	147	100
PB357HS158	357 CAL., .357"	158	100
PB40HS165	40 CAL., 400"	165	50
PB40HS180	40 CAL., 400"	180	50
PB45HS185	45 CAL., 451"	185	50
PB45HS230	45 CAL., 451"	230	50

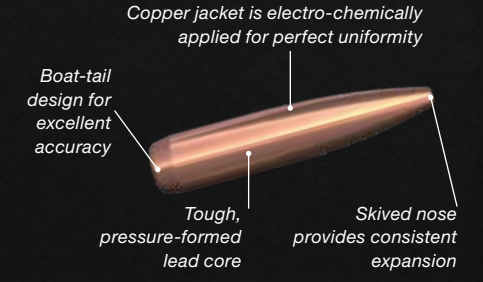


**NEW! FUSION**

Handloaders can now roll their own with the bullet design that changed hunting ammunition forever. Fusion® component bullets provide the largest expansion and highest weight retention in their class. With a molecularly fused jacket and a pressure-formed core, Fusion transfers maximum energy on target and provides tag-filling accuracy.



PART NO.	DIAMETER	GR.	COUNT
FB264F2	6.5MM, .264"	140	100
FB277F2	270 CAL., .277"	130	100
FB277F4	270 CAL., .277"	150	100
FB284F1	7MM, .284"	140	100
FB284F3	7MM, .284"	160	100
FB284F4	7MM, .284"	175	100
FB308F1	30 CAL., .308"	150	50
FB308F4	30 CAL., .308"	180	50
FB338F1	338 CAL., .338"	200	50
FB338F2	338 CAL., .338"	225	50



**FEDERAL PREMIUM UNPRIMED BRASS**

Reloaders who insist on the best trust Federal Premium® brass cases. We now offer a wide variety of unprimed brass for a full range common rifle and handgun cartridges, including 224 Valkyrie.



**GOLD MEDAL**

Our primers are the best in the industry, thanks to a unique priming mix, fine-tuned manufacturing processes and tight tolerances. And the 12C5 wad offers shotshell reloaders SoftCell™ technology to reduce felt recoil while producing consistent patterns.



**CHAMPION COMPONENTS**

Create effective handloads to meet any application and budget with Champion® primers and wads.



UNPRIMED BRASS		
PART NO.	CALIBER	COUNT
PR223UPB100	223 REM.	100
PR22250UPB100	22-250 REM.	100
PR224VLKUPB100	224 VALKYRIE	100
PR243UPB50	243 WIN.	50
NEW PR65GDLUPB50	6.5 GRENDDEL	50
NEW PR65CRDUPB50	6.5 CREEDMOOR	50
PR270UPB50	270 WIN.	50
PR270WSMUPB50	270 WSM	50
PR7UPB50	7MM REM. MAGNUM	50
PR3030UPB50	30-30 WIN.	50
PR308UPB50	308 WIN.	50
PR3006UPB50	30-06 SPRG.	50
PR300UPB50	300 WIN. MAGNUM	50
PR300WSMUPB50	300 WSM	50
PR338FUPB50	338 FEDERAL	50
PH327UPB100	327 FEDERAL	100
PH9UPB100	9MM LUGER	100
PH40UPB100	40 S&W	100
PH45UPB100	45 AUTO	100

CENTERFIRE PRIMERS			
PART NO.	TYPE	USE	NOMINAL DIA.
GM100M	Small Pistol Match	Std. Velocity Pistol and Revolver	.175
GM150M	Large Pistol Match	Std. and Magnum Pistol and Revolver	.210
GM155M	Large Magnum Pistol Match	Magnum Revolver	.210
GM200M	Small Magnum Pistol Match	High Velocity and Magnum Pistol and Revolver	.175
GM205M	Small Rifle Match	Small Rifle	.175
GM210M	Large Rifle Match	Large Rifle	.210
GM215M	Large Magnum Rifle Match	Magnum Rifle	.210

AR CENTERFIRE PRIMERS			
PART NO.	TYPE	USE	NOMINAL DIA.
GM205MAR	Small Rifle AR Match	Small Rifle AR	.175

WADS			
PART NO.	TYPE	USE	NOMINAL DIA.
12C5	12 Gauge	1 1/8 oz. loads	

CENTERFIRE PRIMERS			
PART NO.	TYPE	USE	NOMINAL DIA.
100	Small Pistol	Std. velocity pistol and revolver	.175
150	Large Pistol	Std. and magnum pistol and revolver	.210
155	Large Magnum Pistol	Magnum revolver	.210
200	Small Magnum Pistol	High velocity and magnum pistol and revolver	.175
205	Small Rifle	Small rifle	.175
210	Large Rifle	Large rifle	.210
215	Large Magnum Rifle	Magnum rifle	.210

SHOTSHELL PRIMERS			
PART NO.	TYPE	USE	NOMINAL DIA.
209A	Shotshell	10, 12, 20, 28 gauge and .410 bore	.243

WADS			
PART NO.	TYPE	USE	NOMINAL DIA.
12S0	12 Gauge	7/8 and 1 oz. loads in Gold Medal target shells	
12S4	12 Gauge	1 1/4 oz. loads in Gold Medal target and hunting shells	
20S1	20 Gauge	7/8 and 1 oz. in all loads	
28S1	28 Gauge	3/4 oz. loads	
410SC	.410 Bore	1/2 oz. loads (shot cup only)	

